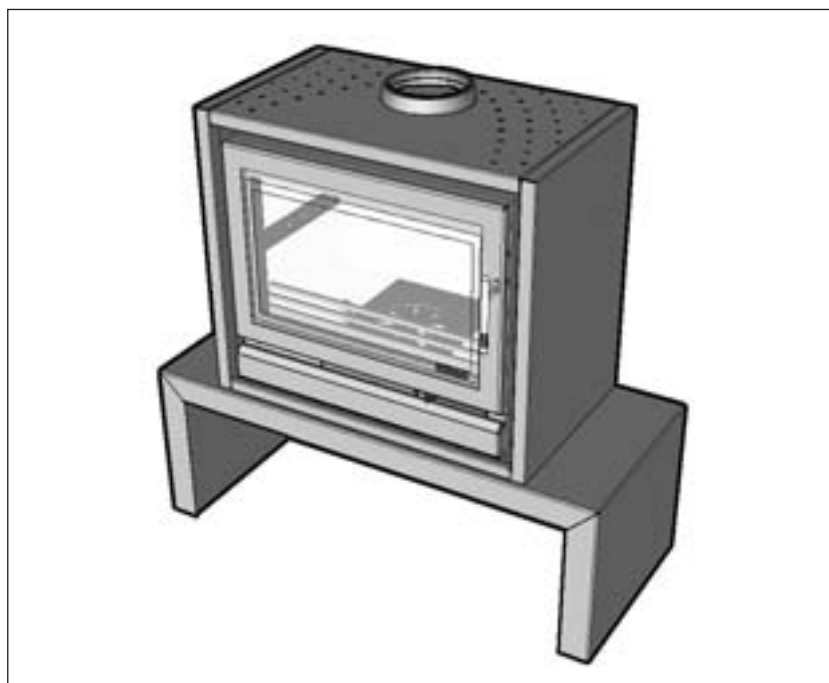


# STOVAX

---



## *Riva Freestanding Bench*

### Installation Instructions

**Product Codes:** RVACB45B (For use with RVF40C)

RVACB100B (For use with RVF40C, RVF66 & RVF76)

RVACB120B (For use with RVF40C, RVF66 & RVF76)

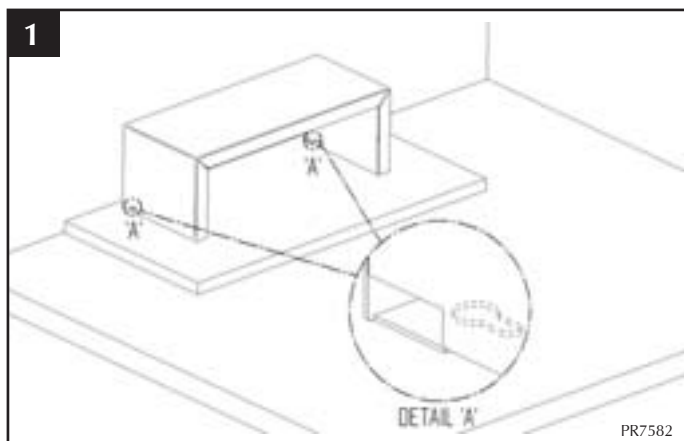
#### **IMPORTANT**

Please read these instructions carefully and in conjunction with the appropriate Riva instructions.  
Care must be taken when handling the stove to avoid injury or damage to the stove.

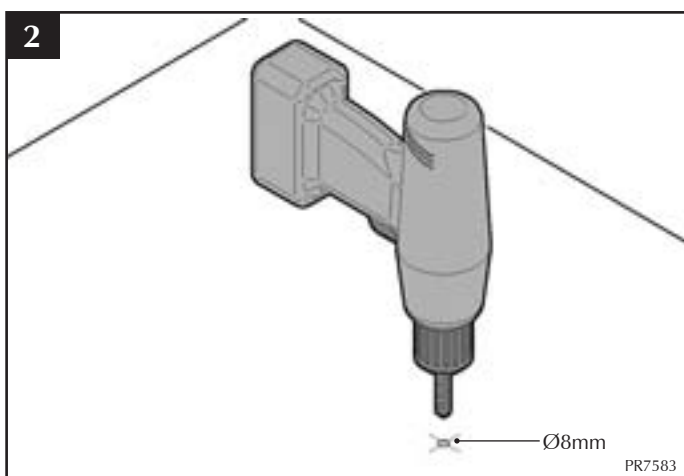
# ASSEMBLY INSTRUCTIONS

## Packing list

- User Instructions
- 3 x Drilling Templates
- 4 x M6 x 90 Coach bolts
- 4 x M6 Washers
- 4 x M6 Nuts
- 2 x No.8 Hex Coach bolt
- 2 x Rawl plugs
- 5 x Felt pads



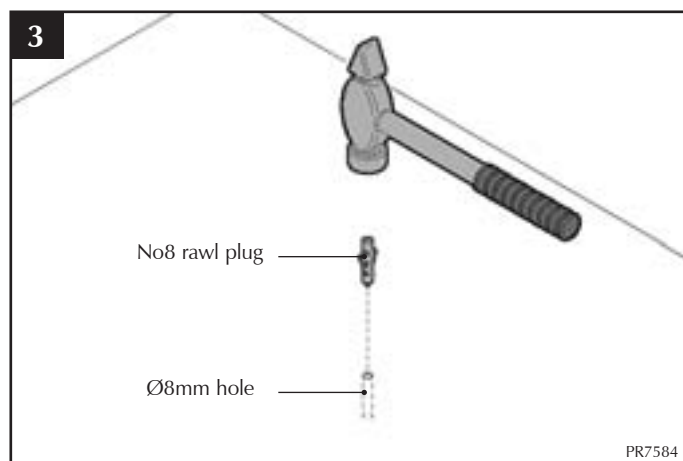
1. Position bench on your hearth and mark out the 2 key slots on the floor.



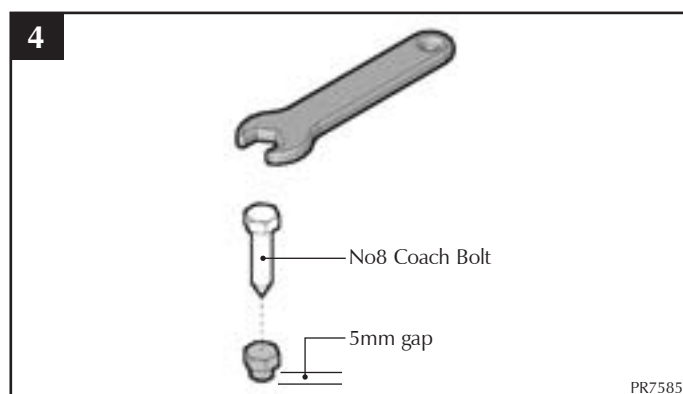
2. Remove bench and drill the two marked positions with Ø8mm hole to 50mm deep.

## Tools required

- 10mm A/F Spanner
- 13mm A/F Spanner
- Hammer
- Center Punch
- Power Drill with:
  - Ø8mm Masonry drill bit
  - Ø8mm Steel drill bit
  - Pozidrive attachment

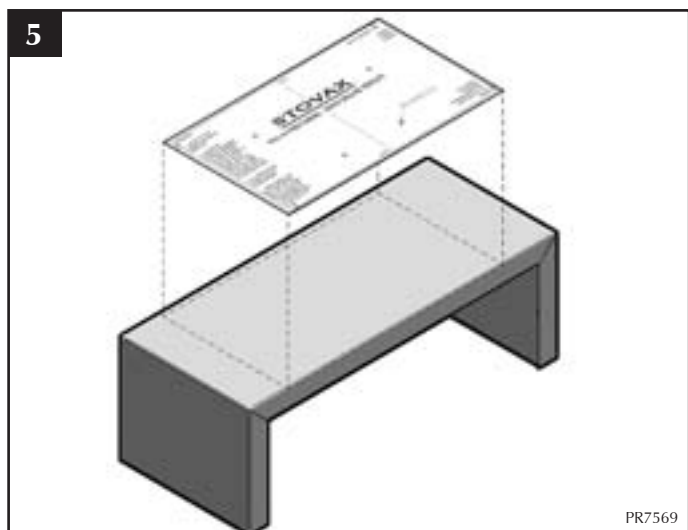


3. Tap in No.8 Rawl plugs.

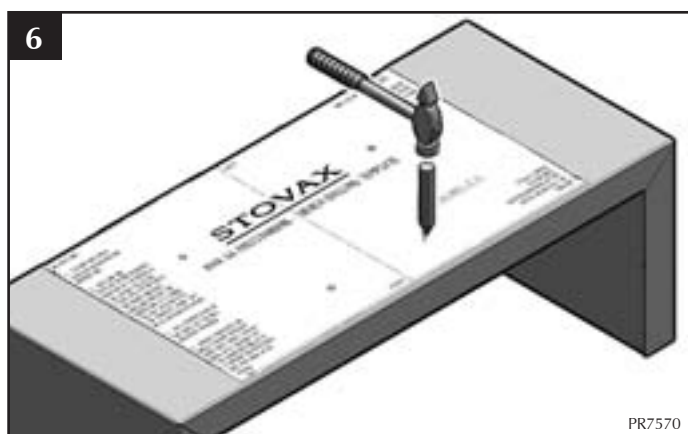


4. Screw in No.8 coach bolt leaving 5mm gap from the surface of the floor.

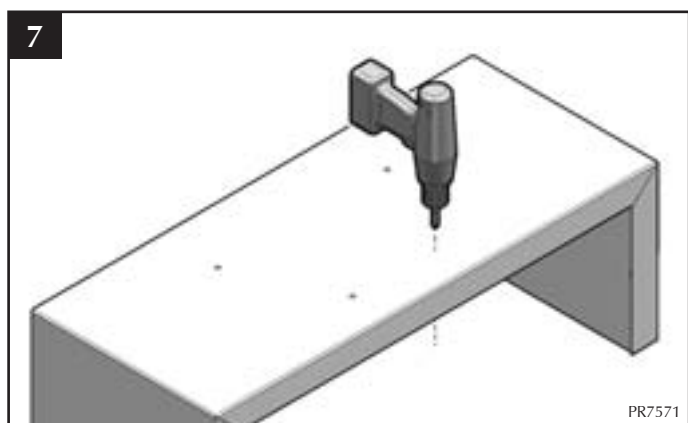
# ASSEMBLY INSTRUCTIONS



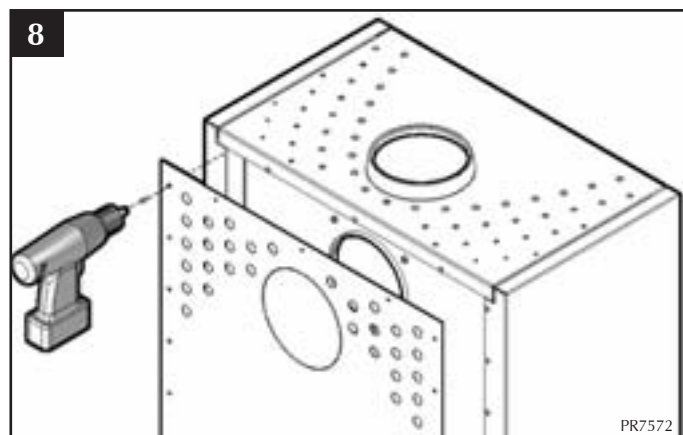
5. Slide The bench over the coach bolts and tighten. Position drilling template as you would the stove.



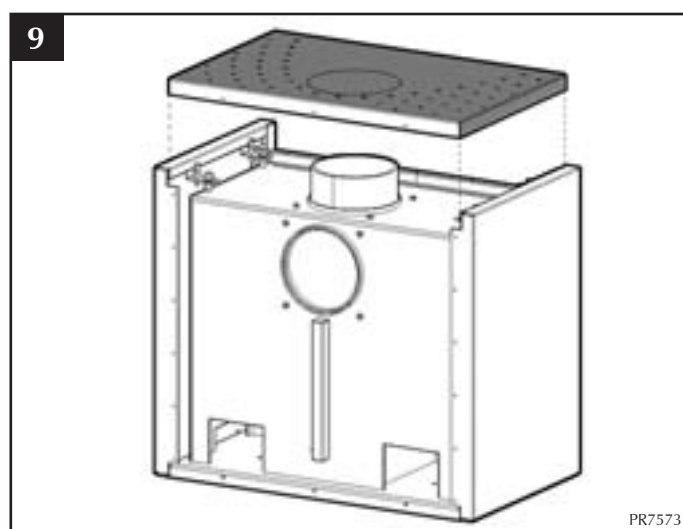
6. Mark drilling points with a centre punch.



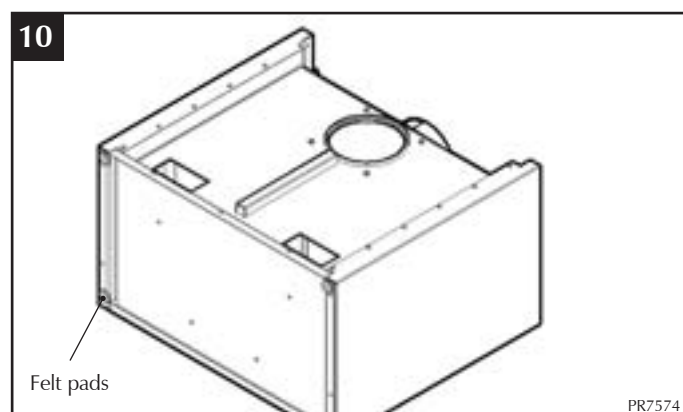
7. Drill four Ø8mm holes. Straight through both sides.



8. Remove back cover plate from the stove.

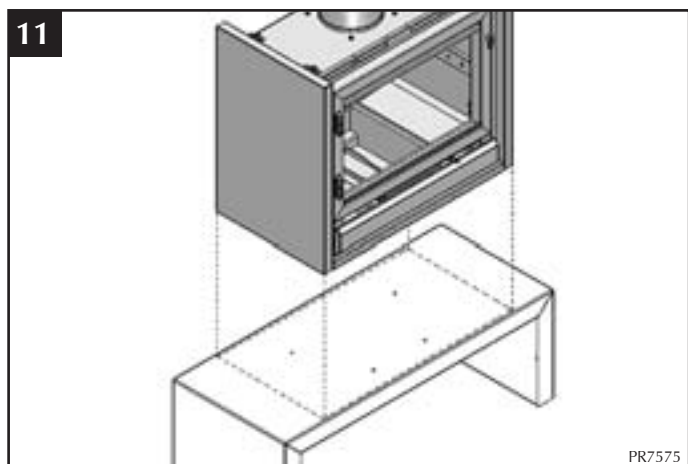


9. Lift off stove cover plate.

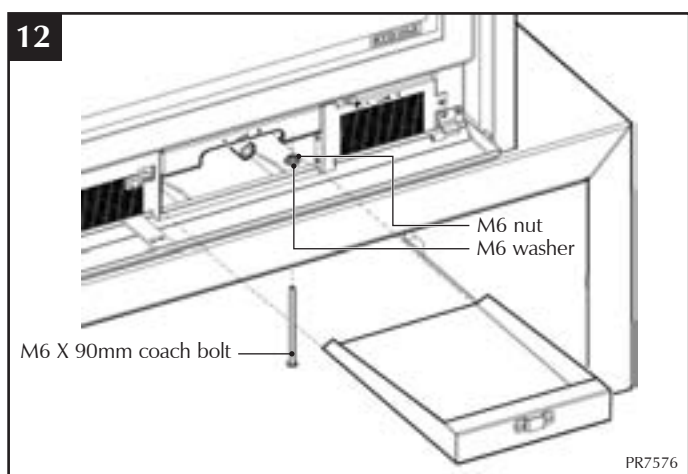


10. Firstly remove all internal parts from the stove and remove the door. Tip the stove onto its front on a soft surface that will not damage the paintwork. Apply felt pads to each corner of the base.

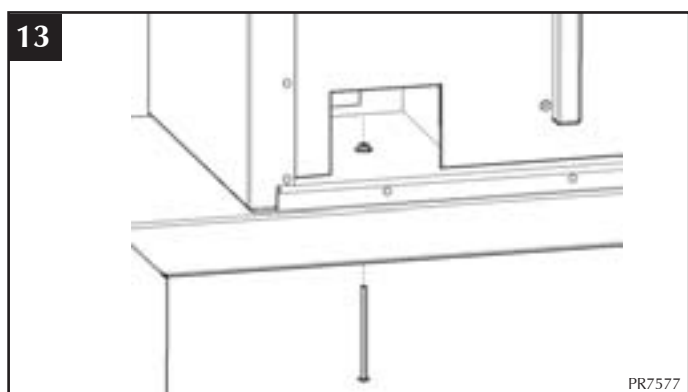
# ASSEMBLY INSTRUCTIONS



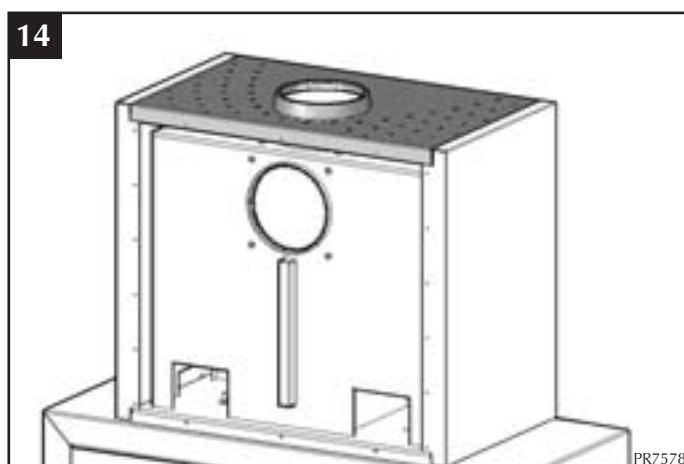
11. Position the stove onto the bench.



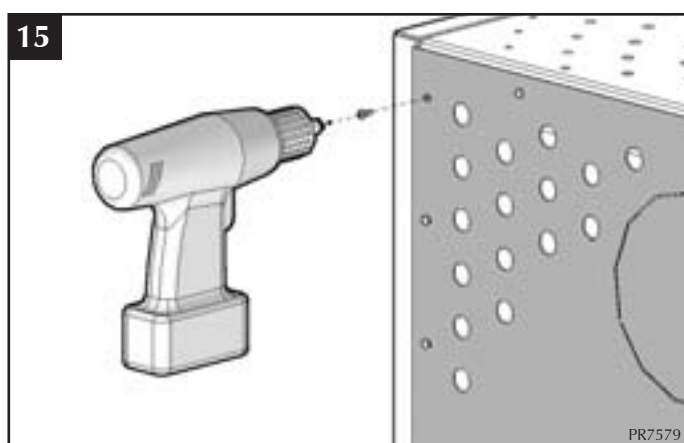
12 Remove ash pan and insert the two coach bolts in the front holes, fixing with the nuts and washers provided.



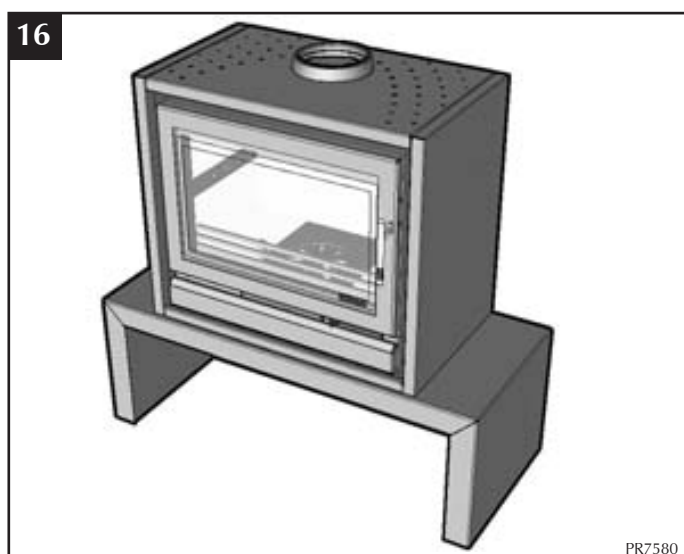
13. Repeat step 12 with the rear holes.



14. Replace the top cover plate.



15. Re-attach the back cover plate, internal parts and door.



## STOVAX